

Product: H150 ISLANDS

Lounge - Ergonomic - Video - Break - Snack islands: many features, many solutions and many answers to meet the needs of the Smart Office world. Coffice islands are modular, multi-functional systems, consisting of a double central column to which kitchen counters, meeting tables and benches can be easily aggregated.

This variety of configurations make them suitable for meeting, sharing and welcome areas. The storage column can be equipped with doors, drawers, baskets, and open compartments that can hold coffee machines, water dispensers and small appliances.

Coffice Islands are equipped with wiring system, easy accessible thanks to the top access, for appliances housing and devices connection.

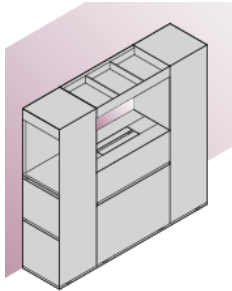


TECHNICAL FEATURES

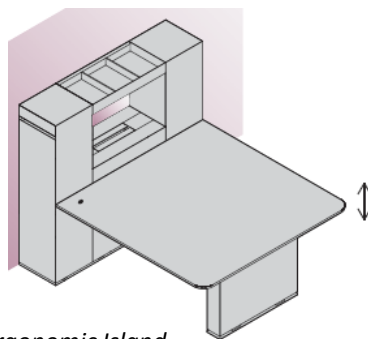
Structure: Metal components are in the same finish as the structure. If structure is not specified, it is in Titanio finish.

All islands are composed by a central column with accessories, two side columns and, in addition, a specific table, depending on the configuration.

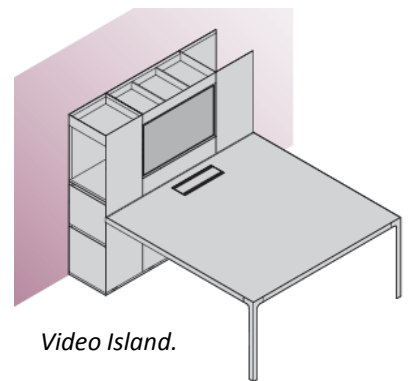
AVAILABLE CONFIGURATIONS



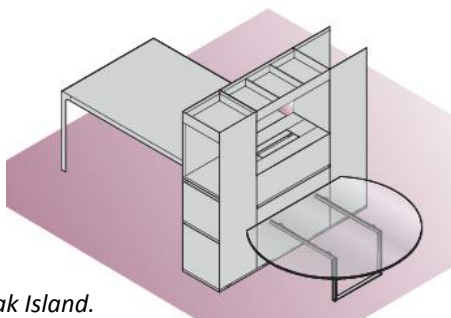
Lounge Island.



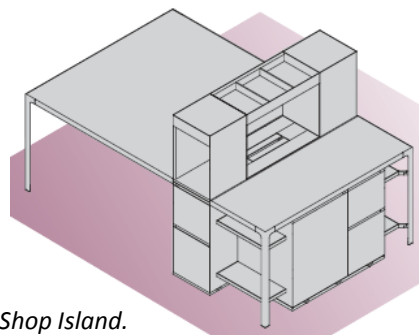
Ergonomic Island.



Video Island.

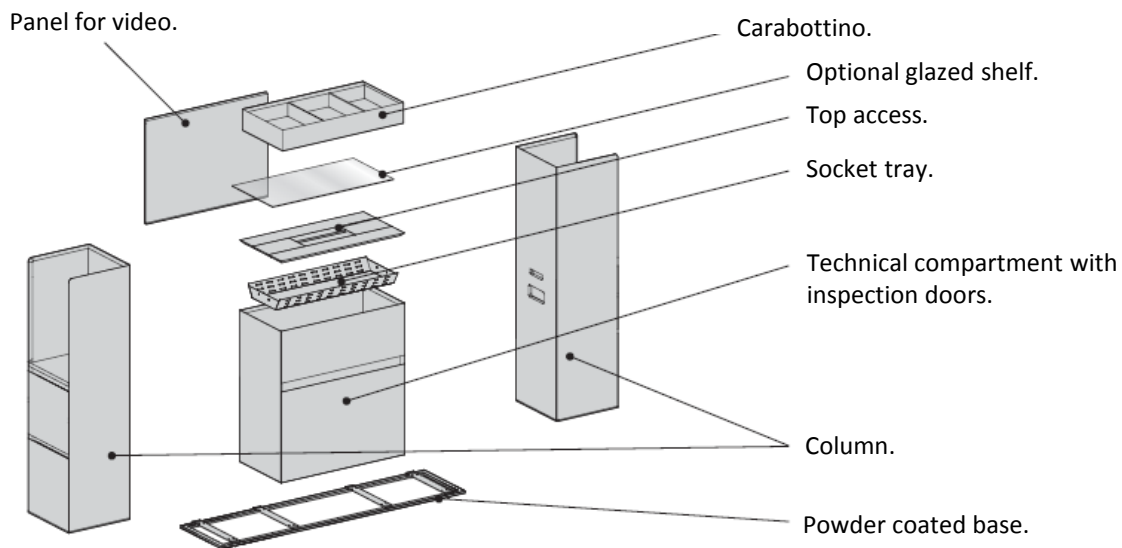


Break Island.



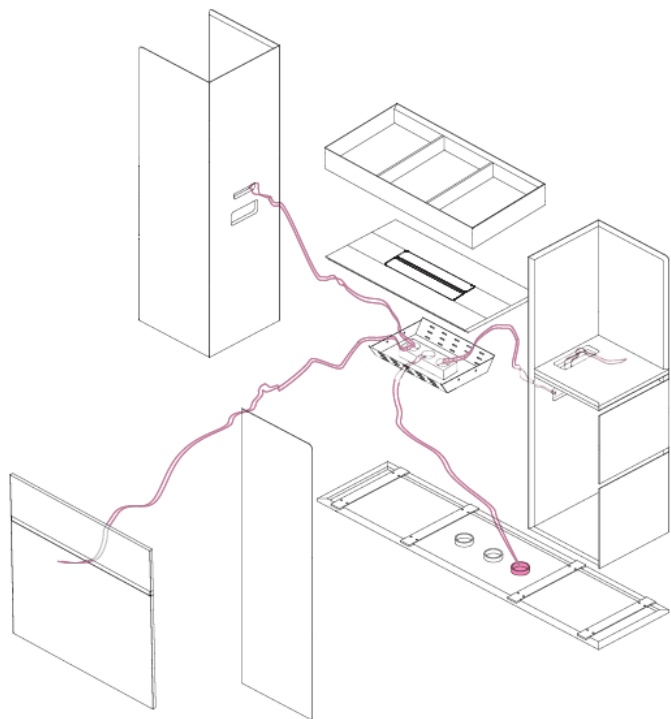
Shop Island.

ELEMENTS

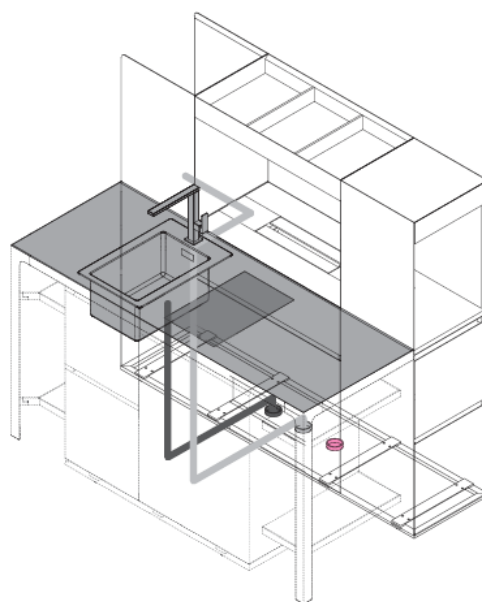


A set of additional terminal panels must be added to the compositions when using one or more base units.

ELECTRICAL SYSTEM

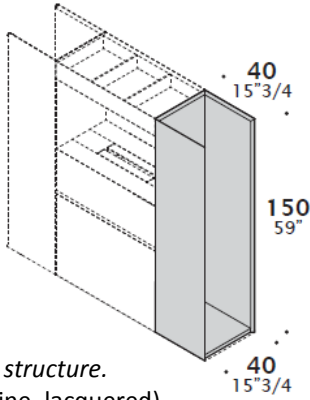


WATER SYSTEM

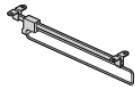


DIMENSIONS

LATERAL COLUMNS - for all islands



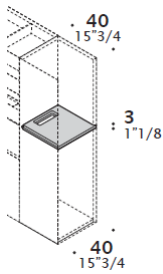
Column structure.
(melamine, lacquered)



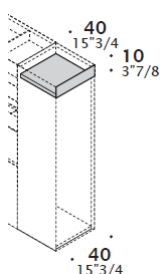
Pull-out clothes hanger rail.

Column shelves.

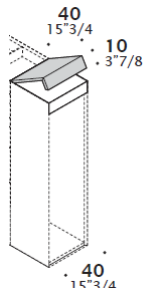
(melamine or lacquered).



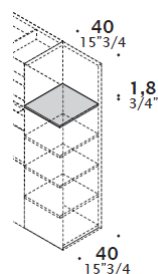
Base top.



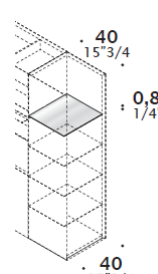
Fixed tray shelf.



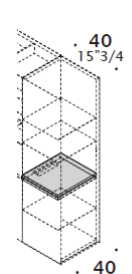
Liftable hinged top.



Wooden shelf.



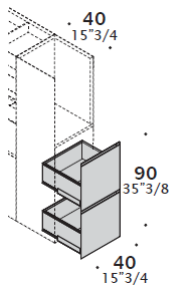
Glazed shelf.



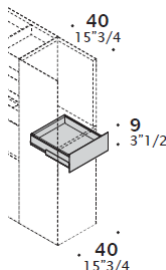
Shelf with metal cover.

Drawers.

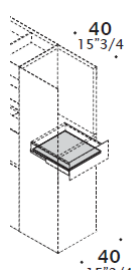
(melamine, lacquered, veneer).



Two drawer cabinets.



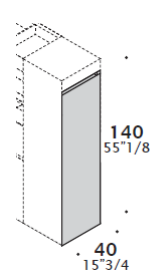
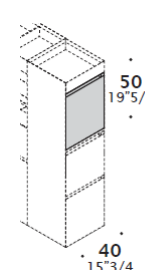
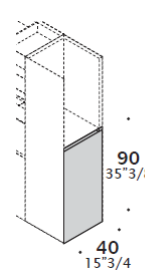
Internal drawer.



Bottom for drawer cabinet / drawer.

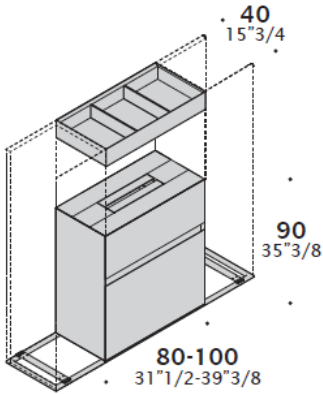
Doors.

(melamine, lacquered, veneer).

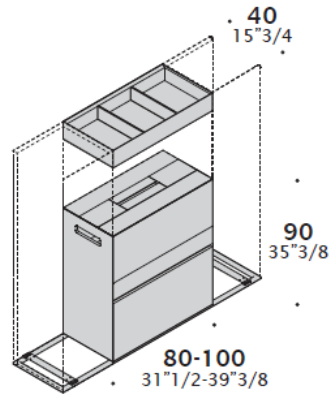


DIMENSIONS

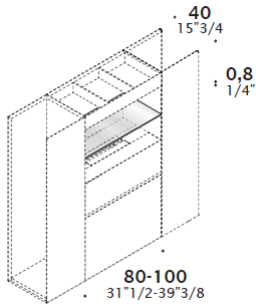
CENTRAL COMPARTMENT - for all islands
(melamine or lacquered).



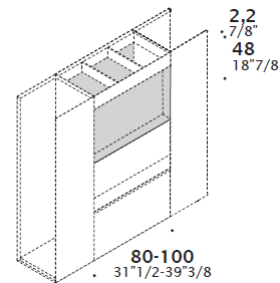
Central compartment structure.



Central compartment structure for island with video or H45 cm coffee table.



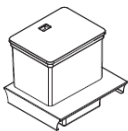
Additional glazed shelf.



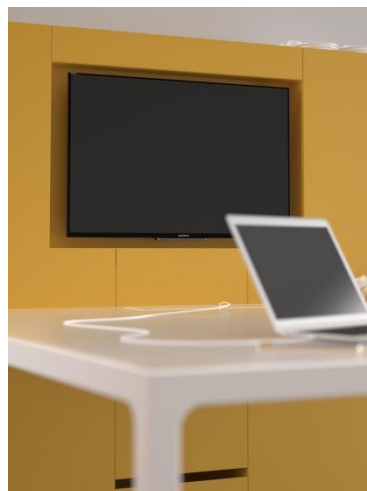
Panel for video support.

A top access on the meeting table must be added, when ordering the panel for video.

Accessories.



Dustbin set for W40 (15 3/4) drawer cabinet.

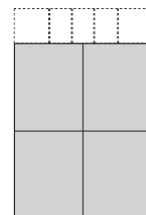
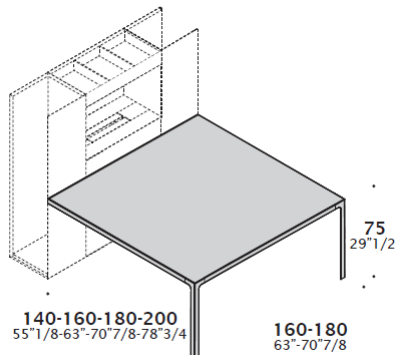
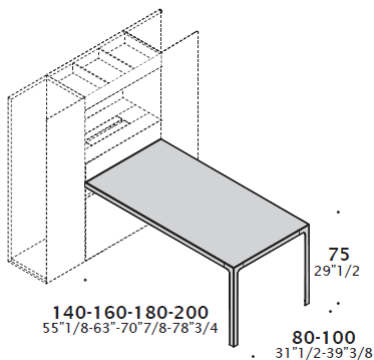




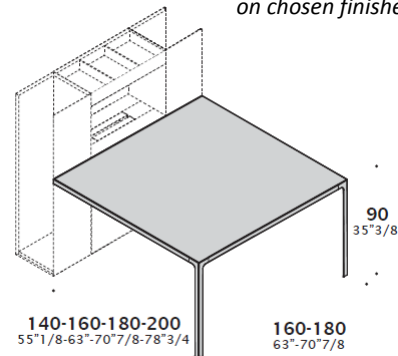
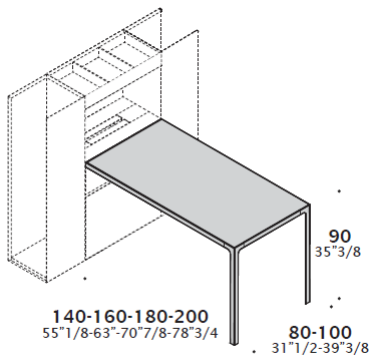
DIMENSIONS

MEETING TABLE - H75 / H90 / SIT&STAND

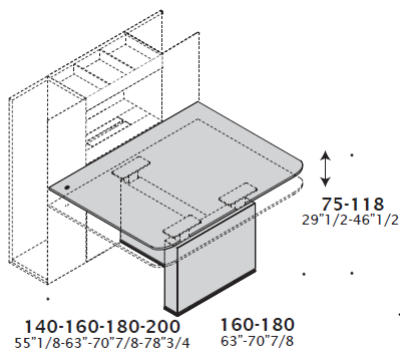
(metal structure; tops: melamine, laminate, veneer, ceramics, glass)



W160 and W180 tops can be divided in different sections based on chosen finishes.

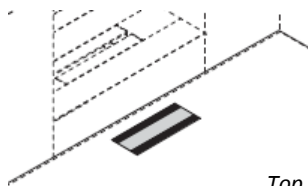


All width-depth combinations shown in the pictures are available.



*Sit&Stand top - height adjustable.
This top is not available glazed.*

ELECTRIFICATION

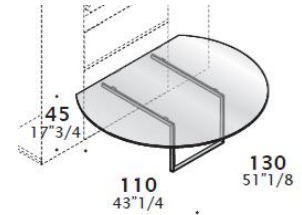
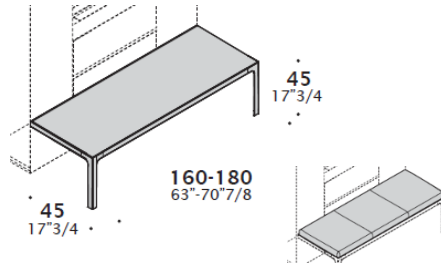
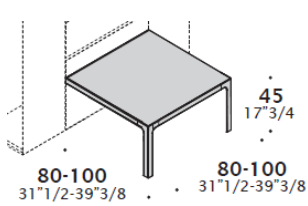


Top access.



DIMENSIONS

H45 COFFEE TABLES - for Break Island



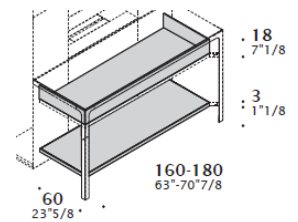
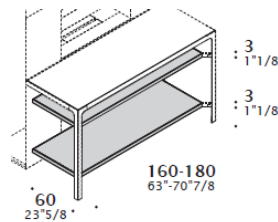
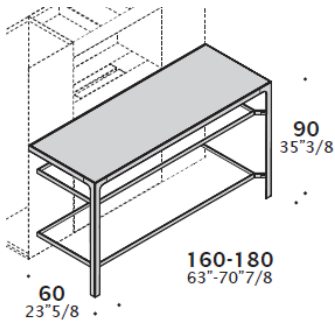
H45 cm More coffee tables
(metal structure; top in melamine, laminate, lacquered, veneer, ceramics, glass)

Deck Glass coffee table (in clear glass or back lacquered etched glass).

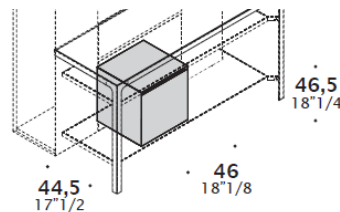
A cushion for rectangular coffee table is available.

H90 / D60 COUNTER - for Snack Island

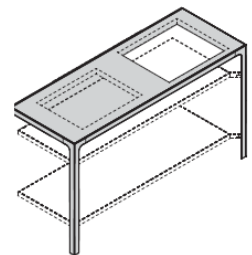
Counter with shelves (top: laminate, stainless steel, ceramics, glass)



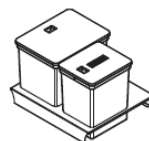
Two shelves and two shelves with carter.



Drawer cabinet
(melamine, lacquered, veneer).



Hole for cooker.

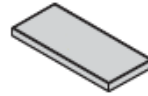
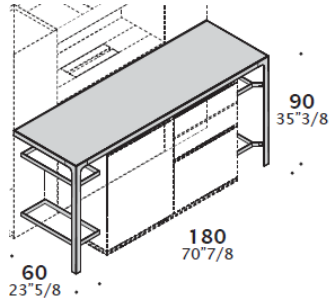
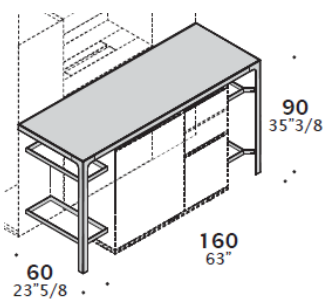


Dustbin set.

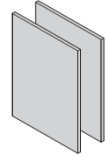
DIMENSIONS

H90 / D60 COUNTER - FOR SNACK ISLAND

Counter with shelves - accessories



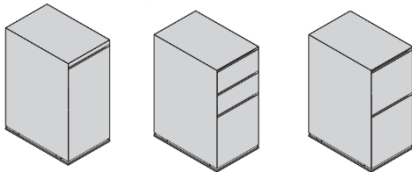
4 side shelves
W30 (11"3/4)
D60 (23"5/8)
th. 3 cm (1"1/8)



Couple of side panels.
(melamine, lacquered, veneer)

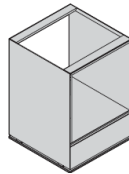
(melamine, laminate,
lacquered, veneer, ceramics)

More structure in metal; top in Laminate, Stainless steel, Ceramics or Back-lacquered etched glass.



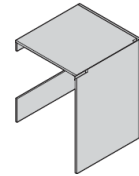
Storage units

(H85,5 - D60 - W40/60)
(H33"5/8 - D23"5/8 - W15"3/4-23"5/8)



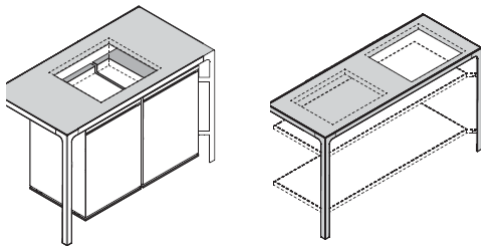
Technical base for oven

(H85,5 - D60 - W60)
(H33"5/8 - D23"5/8 - W23"5/8)

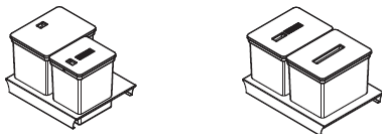


Technical base for fridge

(H85,5 - D60 - W60)
(H33"5/8 - D23"5/8 - W23"5/8)



Hole for sinks/cookers installation.



Dustbin set.



FINISHES**More Structure:**

Powder coated metal: matt or glossy White Snow, glossy UE White, glossy Silver, matt Titanio, matt Green Black, matt Brown, matt Carbon Glacè, glossy Alfa Red.

Luxury metal: Chromed, glossy Nickel Black, matt Bronze, matt Brass, matt Antique Brass, Pewter Quarz, Brunished Cobalt.

Side columns / central compartment:

Melamine: UE White, Silver, Titanio, Delavè, Comfort, White Snow, Magnolia, Oak 2017, Eucalyptus, White Colour Fir.

Sablè lacquered, available in different sample collection colours.

Veneer (for doors): Magnolia, White Colour Fir, Nuvola stained Oak, Natural Oak 2016, American Walnut, Eucalyptus, Wengè, Zebrano Brown, Ebano.

Meeting table tops and H45 coffee tables for Break Island:

Melamine: see above, finishes for columns.

Laminate: White Snow, Oak, White Fenix.

Sablè lacquered, available in different sample collection colours.

Veneer: see above, finishes for doors.

Ceramics: Calacatta Soft, Calacatta Glossy, Statuario Soft, Statuario Glossy, Walks 1.0 White, Walks 1.0 Gray, Le Roche Ecrù, Ardoise Ecrù, Ardoise Noir, Nero Marquinia, Le Roche Grey, Industrial Ivory, Industrial Plomb.

Back-lacquered etched glass (no Sit&Stand): White, Silver, Titanio, Brown, Alfa Red.

Clear glass (only H45 Deck Glass coffee table).

Snack island counter:**Top:**

Laminate: White Snow, Oak, White Fenix.

Stainless Steel.

Ceramics: see above, finishes for tops.

Back-laquered etched glass: see above, finishes for tops.

Shelves for counter, carter and side shelves:

Melamine: see above, finishes for columns.

Laminate: White Snow, Oak, White Fenix.

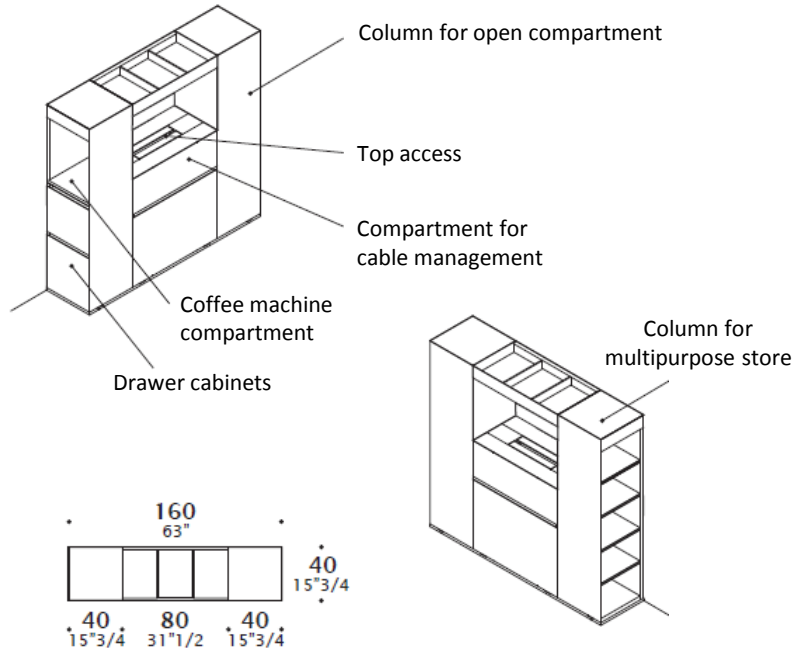
Sablè lacquered, available in different sample collection colours.

Veneer: see above, finishes for doors.

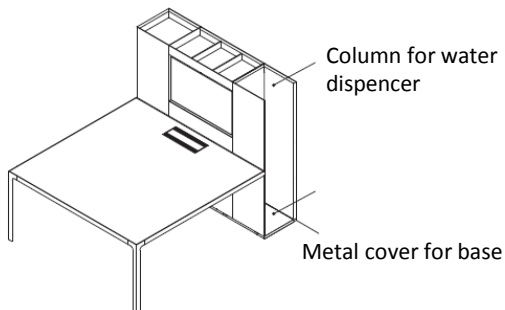
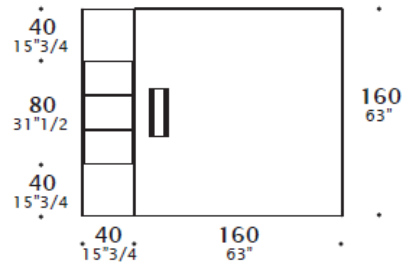
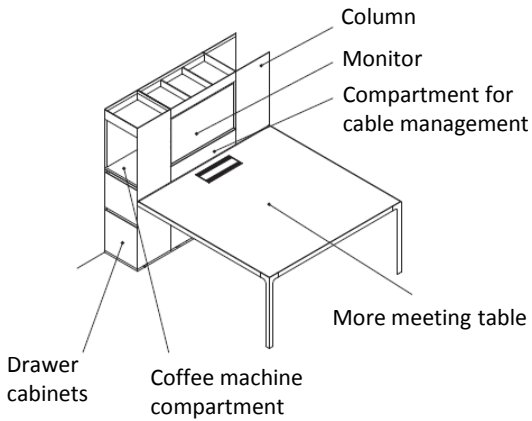
Ergonomic Island top detail.



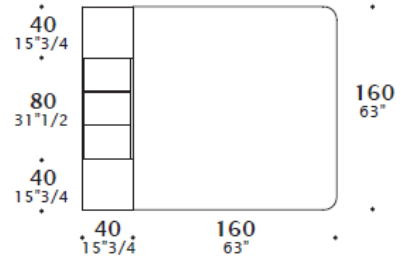
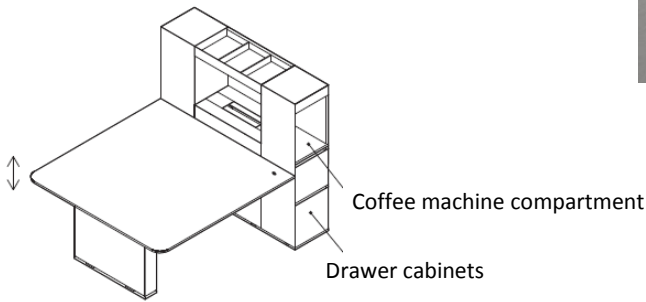
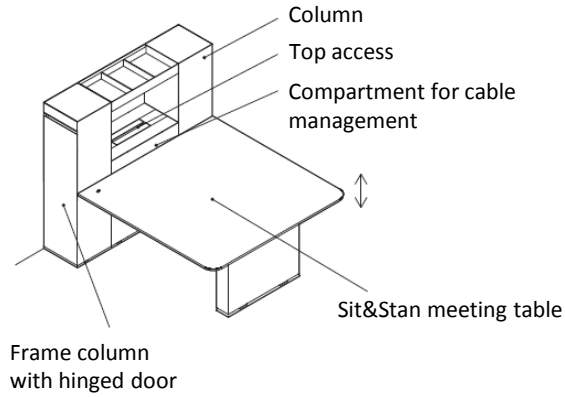
COMPOSITION EXAMPLE- LOUNGE Island



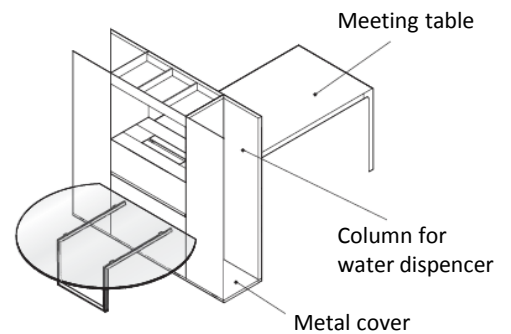
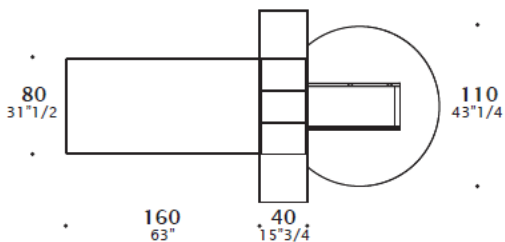
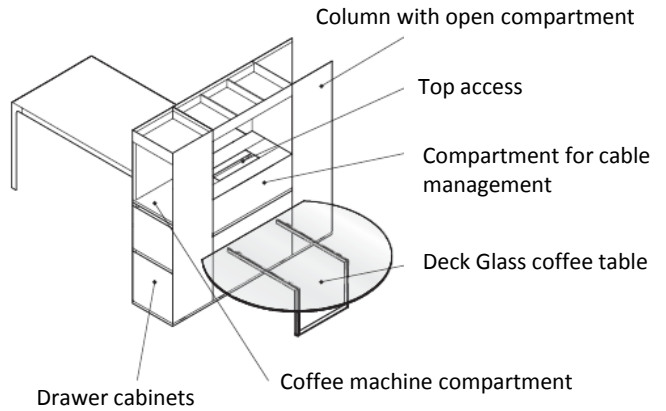
COMPOSITION EXAMPLE - VIDEO Island



COMPOSITION EXAMPLE - ERGONOMIC Island



COMPOSITION EXAMPLE - BREAK Island



COMPOSITION EXAMPLE - SNACK Island

