

Bridge

Design by Estel R&D

Bridge is a modular reception system composed of two elements placed side by side: desk top and containment / privacy elements. A highly customizable product thanks to the many finishes available, including back-lacquered etched glass and lacquering with a metallic effect.



TECHNICAL FEATURES



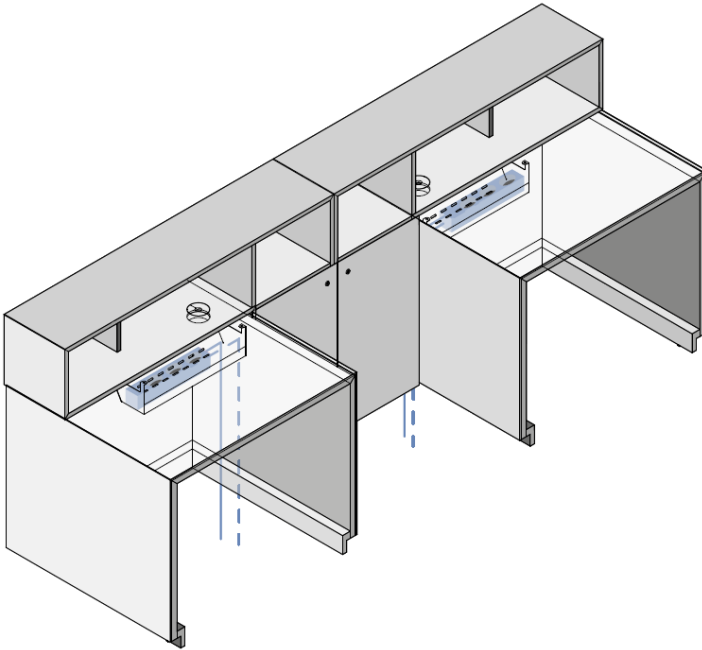
Tops

Desk in Sablé lacquered or back-lacquered etched glass.

Bridge

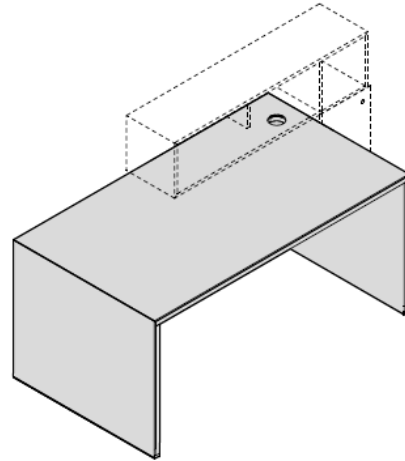
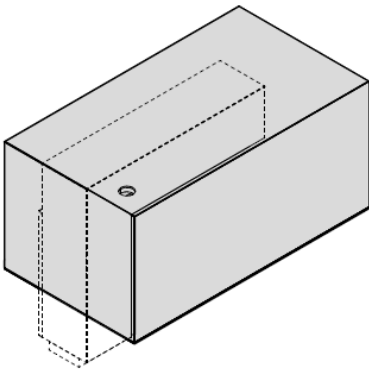
Bridge in Sablé lacquer or steel lacquered.

ELECTRIFICATION



Cable outlet and
undercounter tray

DIMENSIONS

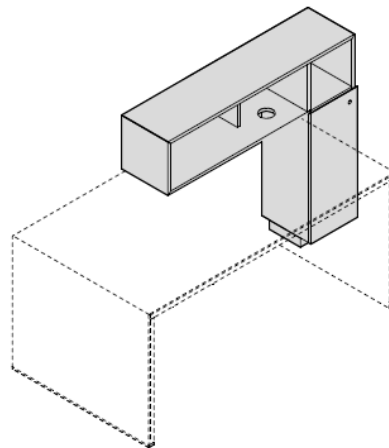
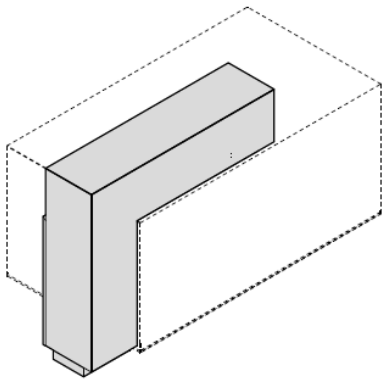


Desk for reception

H74 (29"1/8) x W90 (35 (31"1/2) 3/8) x D80 (31"1/2)

H74 (29"1/8) x W140 (55"1/8) x D80 (31"1/2)

H74 (29"1/8) x W160 (63") x D80 (31"1/2)

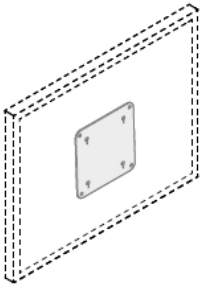


Bridge for reception

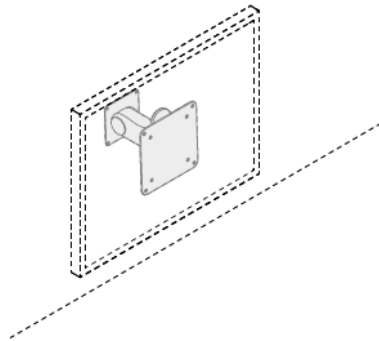
H105 (41"3/8) x W82 (32"1/4) x D30 (11"3/4)

H105 (41"3/8) x W132 (52") x D30 (11"3/4)

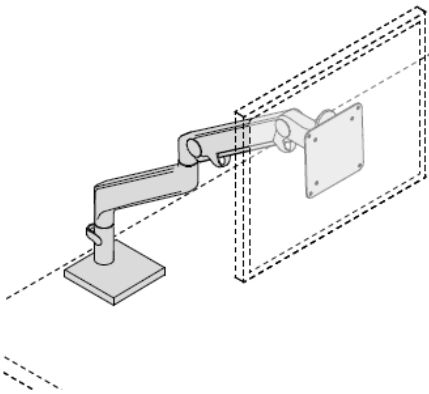
ACCESSORIES



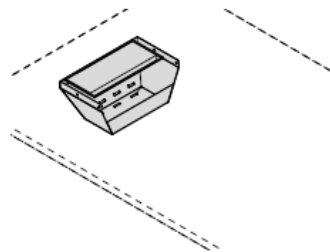
Monitor holder stand



Monitor stand

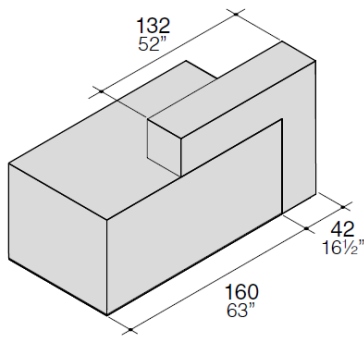


Monitor support arm

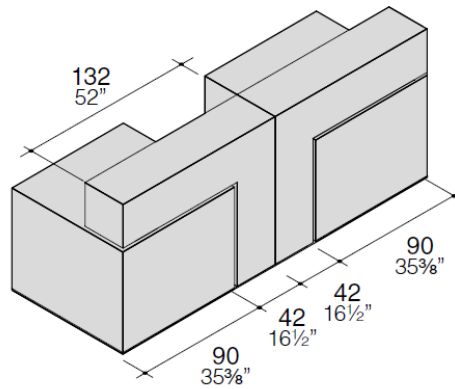


Top access and cable tray

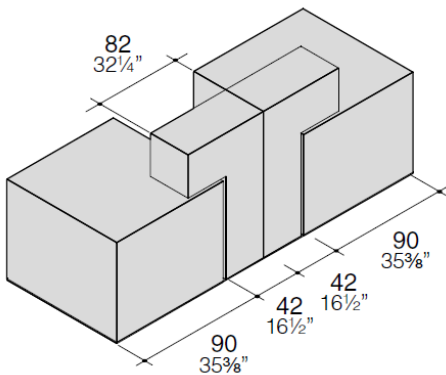
COMPOSITIONS



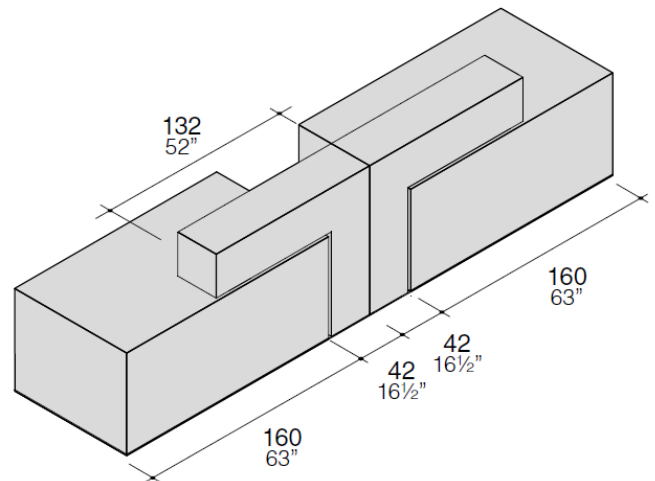
Reception Bridge W202 (79"1/2), with desk W160 (63") and Bridge W132 (52")



Double composition W264 (103"7/8), with two desks W90 (35"3/8) and two Bridge W132 (52")



Double composition W264 (103"7/8), with two desks W90 (35"3/8) and two Bridge W82 (32"1/4)



Double composition W404 (159"), with two desks W160 (63") and two Bridge W132 (52")





Double composition receptions with bridge in Steel lacquered.







HEADQUARTER

Estel Group srl
Via Santa Rosa 70
36016 Thiene (VI) – Italy
Tel. +39 0445 389611
Fax +39 0445 808801
www.estel.com

The information shown is based on the latest published price lists. Estel reserves the right to make any necessary changes to the products shown at any time without notice.

ESTEL rev. 03_11/2019
