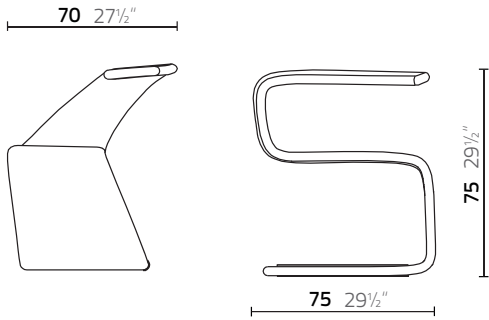


Sissi

A multitasking chair, designed with a single layout that can be rearranged for different situations. The upper support works as a backrest, an armrest or a working surface, depending on how you sit on it.



Design by

Michele Franzina and
Venezia Homedesign Team

Technical data

Stress-resistant polyurethane foam on a metal frame
Fully upholstered with different covers and colours
Dimensions: 65 x 70cm, h: 75cm

